



## Chopper 1500 H S5A

### Manual tool change

Item no. **11203002**

HF-Spindle for high-speed milling, -grinding, -drilling, -engraving

### Bearings

|                          |                  |
|--------------------------|------------------|
| Steel ball bearing (pcs) | 2                |
| Lifetime lubricated      | maintenance free |

### Motor

|  |   |
|--|---|
| Motor technology                         | 3-phase asynchronous drive<br>(no brushes or sensors) |
| Frequency                                | 500 Hz  |
| Motor poles (pairs)                      | 1   |
| Rated rotation speed                     | 30.000 rpm  |
| Acceleration/braking value<br>Per second | 10 000 rpm<br>(other values by consultation)          |

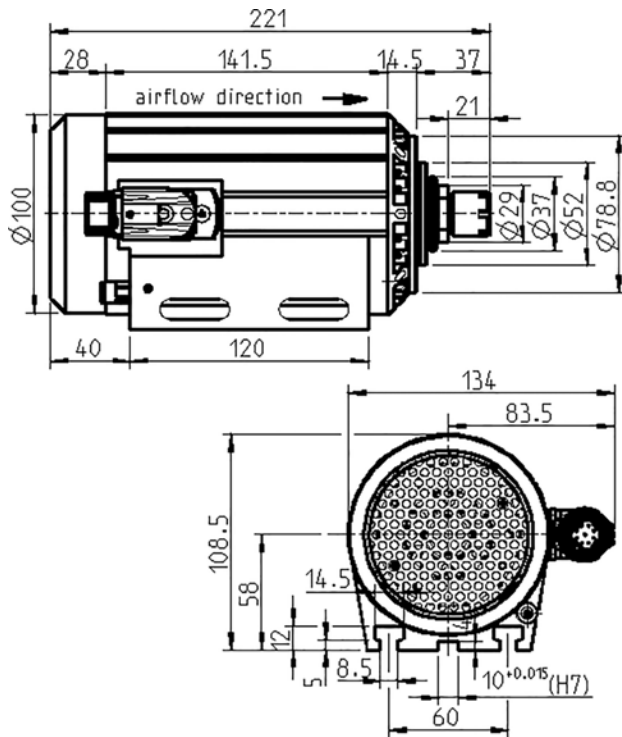
### Power values

Fan cooled

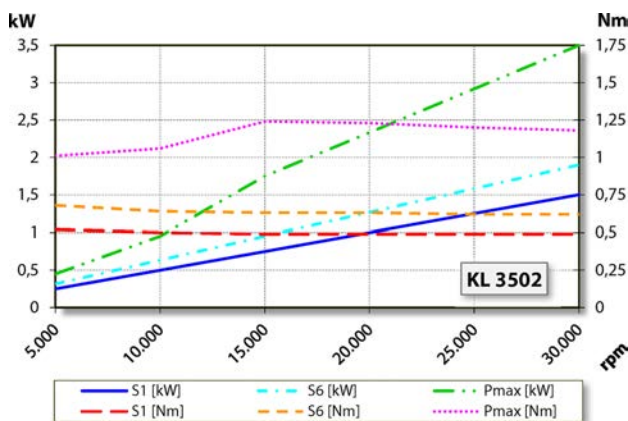
|             | Pmax./5s | S6-60% | S1-100% |      |
|-------------|----------|--------|---------|------|
| Rated power | 3,5      | 1,9    | 1,5     | [kW] |
| Torque      | 1,24     | 0,68   | 0,52    | [Nm] |
| Voltage     | 200      | 200    | 200     | [V]  |
| Current     | 14       | 7      | 6       | [A]  |

## Chopper 1500 H S5A

Manual tool change  
Item no. 11203002



Dimensions



Performance Diagram

Fan cooled

Measurement of power is funded by in-house testing.

## Characteristics

|  |                                   |
|--|-----------------------------------|
| Motor protection                               | PTC 130°C                         |
| Housing  | Aluminium                         |
| Housing diameter                               | 100 mm                            |
| T-slots  | DIN 650-8                         |
| Spindle holder integrated                      |                                   |
| Cooling  | Fan-cooled<br>(impeller on shaft) |
| Heat dissipation                               | Via the housing                   |
| Housing temperature                            | < + 55° C                         |
| Ambient temperature                            | + 10°C ... + 45°C                 |
| Sealing air                                    |                                   |
| Protection category<br>(sealing air turned on) | IP54                              |
| ESD protection                                 |                                   |
| Tool change                                    | Manual tool change                |
| Collet type                                    | ER 16                             |
|  | Optional accessories              |
| Clamping range up to                           | 10 mm (25/64")                    |
| Clockwise                                      |                                   |
| Coupler plug                                   | 9-pin (SpeedTEC)                  |
| Weight   | ~ 6 kg                            |
| Inner taper run out                            | < 2 μ                             |