



## ZS62-H650.02 S19W2/2

### Pneumatic taper change

Item no. **13404080**

HF-Spindle for high-speed milling, -grinding, -drilling, -engraving

### Bearings

Hybrid ball bearing (pcs)	4
Lifetime lubricated	maintenance free

### Motor

Motor technology	3-phase synchronous drive (no brushes or sensors)
Frequency	1.667 Hz
Motor poles (pairs)	2
Rated rotation speed	50.000 rpm
Acceleration/braking value Per second	10 000 rpm (other values by consultation)

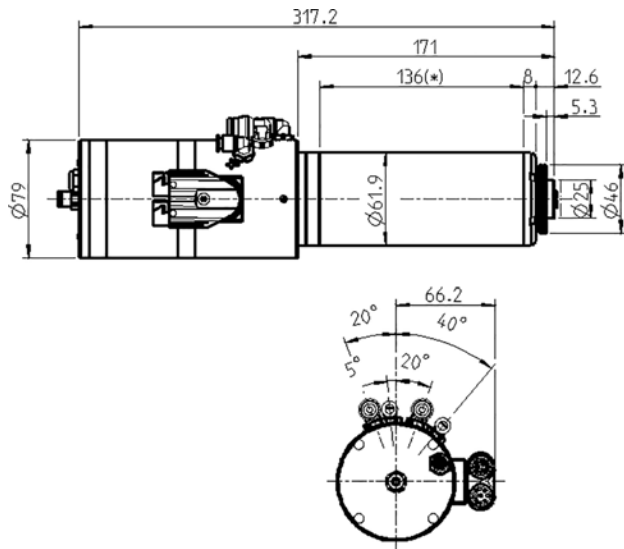
### Power values

Liquid cooled

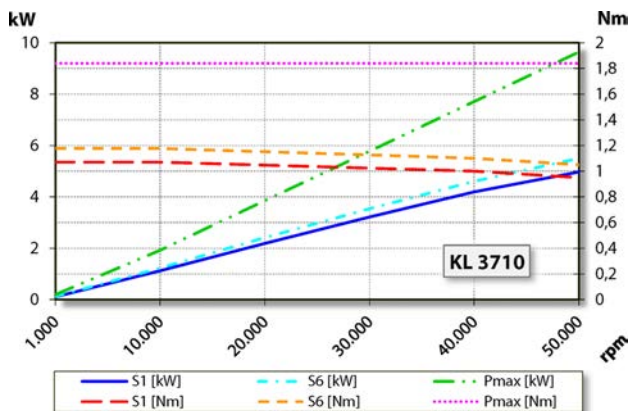
	Pmax./5s	S6-60%	S1-100%	
Rated power	9,6	5,5	5	[kW]
Torque	1,85	1,18	1,07	[Nm]
Voltage	348	318	316	[V]
Current	20	12,8	11,6	[A]

**ZS62-H650.02 S19W2/2**

Pneumatic taper change  
Item no. **13404080**



Dimensions



Performance Diagram

Liquid cooled

Measurement of power is funded by in-house testing.

**Characteristics**

Speed sensor	Differential magneto resistor (TTL) Number of signals = 6
Motor protection	Pt1000
Housing	Stainless steel
Housing diameter	61,9 mm
Cooling	Liquid cooled
Ambient temperature	+ 10°C ... + 45°C
Sealing air	
Protection category (sealing air turned on)	IP54
Taper cleaning	
Tool change	Pneumatic taper change
Tool Holder	HSK-E 25
Tool change monitoring	inductive
2 positions	clamped, ejected
Clamping range up to	10 mm
Clockwise and anticlockwise	
Coupler plug	Y-TEC 9-pin (motor phases) 12-pin (sensors)
Weight	~ 6,2 kg
Inner taper run out	< 1 μ
Axial run-out	< 1 μ